



**PECO**  
food & beverage

# CRYOTECH HOT CHUTE

Atomised Spray Liquid Nitrogen Dosing Extension



## Cryotech Hot Chute:

Precise, accurate, atomised LN2 Dosing with the Hot Chute. Liquid nitrogen (LN2) is dispensed into a container just milliseconds prior to sealing.



## Typical Applications:

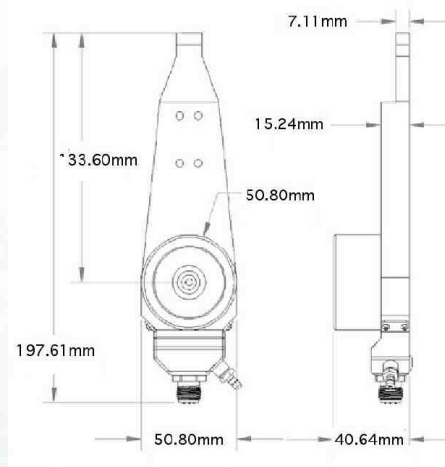
- Pressurization of non-carbonated beverages in ultra-light weight PET containers. Gentle LN2 dose delivered immediately before capping results in consistent pressures critical for successful ultra-light weight bottle applications.
- Pressurization of hot filled products. Gentle nitrogen spray settles on top of product without excessive splashing.
- Inerting of sensitive food products. An atomized dose of LN2 quickly vaporizes into gaseous nitrogen, eliminating the potential of product freezing.

## Features:

- The Hot Chute TM extension effectively atomizes liquid nitrogen for gentle, controlled dosing at line speeds up to 400 cpm.
- The Hot Chute TM can be fitted onto all Cryotech injection units including the LCI, Ultra Doser and Inerter.
- The slim horizontal profile allows the LN2 dose to be delivered directly upstream of the capper.
- For some specialized installations, the Hot Chute TM can be completely integrated into the capper.

## Utility Requirements:

- 110 VAC Supply for additional heater controller.
- Gaseous Nitrogen supply for atomised gas / liquid mix.



**CRYOTECH**  
INTERNATIONAL

[www.peco-europe.com](http://www.peco-europe.com)