



Single Beam Top-Down View **Atempo**

ScanTrac X-ray Inspection Systems

The ScanTrac Atempo X-ray Inspection System provides a high resolution x-ray inspection of flat packages conveyed through the system. The top-down inspection is made on a food-grade, easily-changed belt. The ScanTrac Atempo inspects the passage of a broad range of products and containers, and can be configured for bulk inspection applications. The compact inspection assembly installs in a short linear space, with minimum disruption to production flow. Using the high resolution images taken of each product or package, ScanTrac Atempo applications include contaminant detection, contents verification, and confirmation of package aspects such as shape.



Performs High Resolution Inspection

Atempo's high speed image processing and inspection algorithms provide for complex analyses of the high resolution image. By looking at each image from multiple perspectives, resolution and the frequency of false rejects can be optimized without compromise to line speed.

Provides Quick Belt Change and Cleaning

A single release switch allows the conveyor belt to be removed without tools in seconds for cleaning or replacement.

Connects Remotely for Real-Time Support

The Atempo's Internet link and on-board diagnostic tools assure timely remote support by experienced personnel.

Designed to meet requirements for Food Processing Environments

The Atempo is rated NEMA 4X, and the Atempo SC features a removable conveyor and belt assembly for the harshest of wash down environments, meeting the most demanding sanitary standards.

Supports Multiple Ejector Operation

Atempo supports up to three ejectors for distribution of contaminant detections separate from other faults. Ejection options include gates, diverters, and pushers appropriate to the application.



Atempo SC with wheeled conveyor

InspX LLC

4025 Clipper Court
Fremont, CA 94538 • USA
Tel. 510.226.6686
www.inspx.com

Single Beam Top-Down View **Atempo**

ScanTrac X-ray Inspection Systems

Applications

Inspection Configuration



Pouches

Detects bone, stones, glass, and other contaminants in addition to metal in metalized foil pouches.



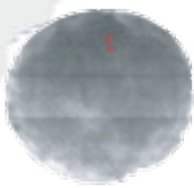
Trays

Detects foreign material in metal trays.



Bagged Products

Special inspection algorithms detect small contaminants in variable product mix.



Flat Products

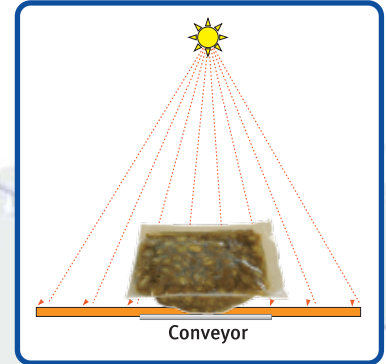
Verify contents and detect contaminants.



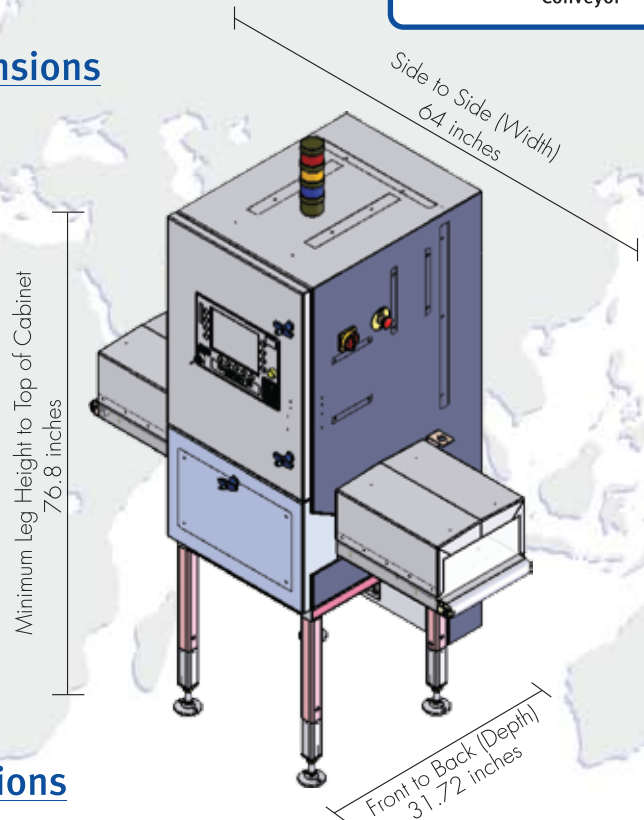
Meat & Poultry Products

ScanTrac's Bone Inspection Algorithms provide enhanced capability for detection of low contrast bone in meat applications.

The Atempo inspects flat packages and products as they are conveyed on the Atempo's inspection conveyor belt through the Atempo inspection assembly.



Dimensions



Specifications

Model: Atempo

Inspection Mode: Top Down

X-ray Tube Configuration: One modular, high performance x-ray assembly

Package / Product Size:

Width 12 inches (305 mm)

Height 6 inches (153 mm)

Environment: IP 65 (IP 69K Optional)

Speed: Up to 225 fpm

Voltage: System 117V/230V – 50/60Hz Single Phase

A/C 117V/Optional 220 V

Air: For ejection only (as required)

Temperature: 40°C (optional air conditioner)

InspX LLC

4025 Clipper Court

Fremont, CA 94538 • USA

Tel. 510.226.6686

www.inspx.com